

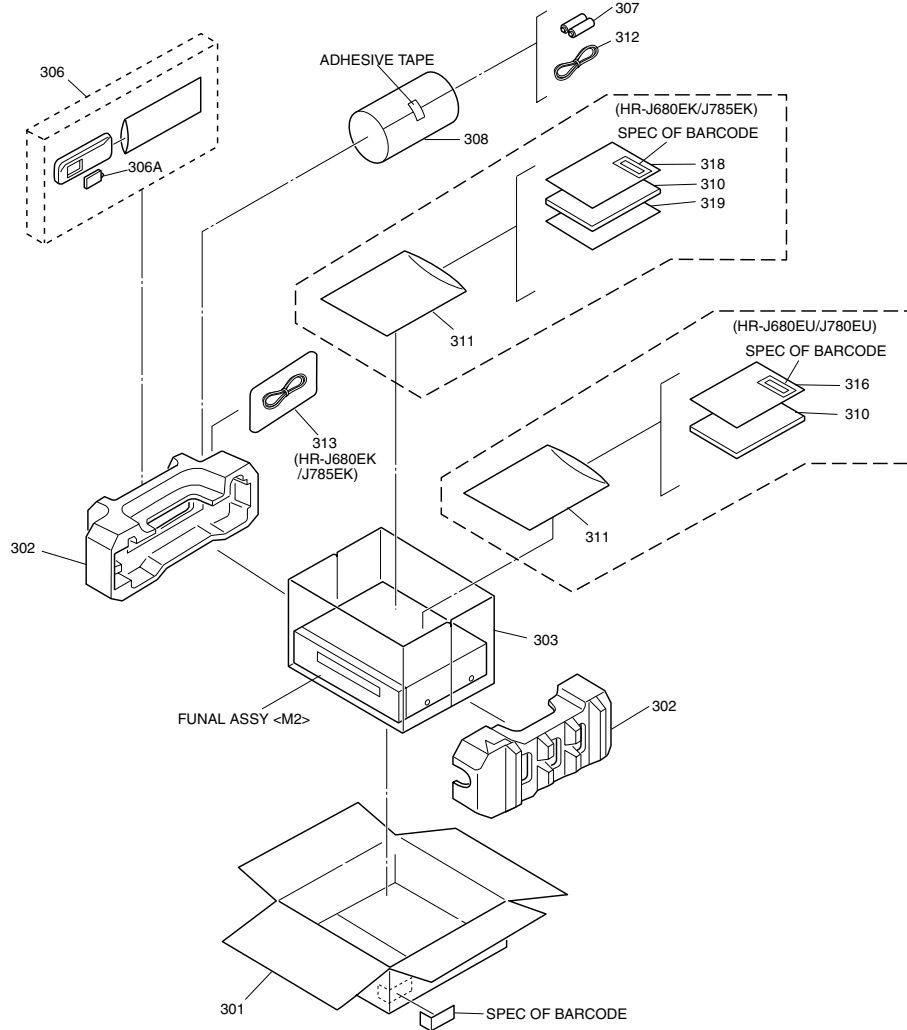
# SECTION 5 PARTS LIST

## SAFETY PRECAUTION

Parts identified by the  $\triangle$  symbol are critical for safety. Replace only with specified part numbers.

### 5.1 PACKING AND ACCESSORY ASSEMBLY <M1>

The instruction manual to be provided with this product will differ according to the destination.

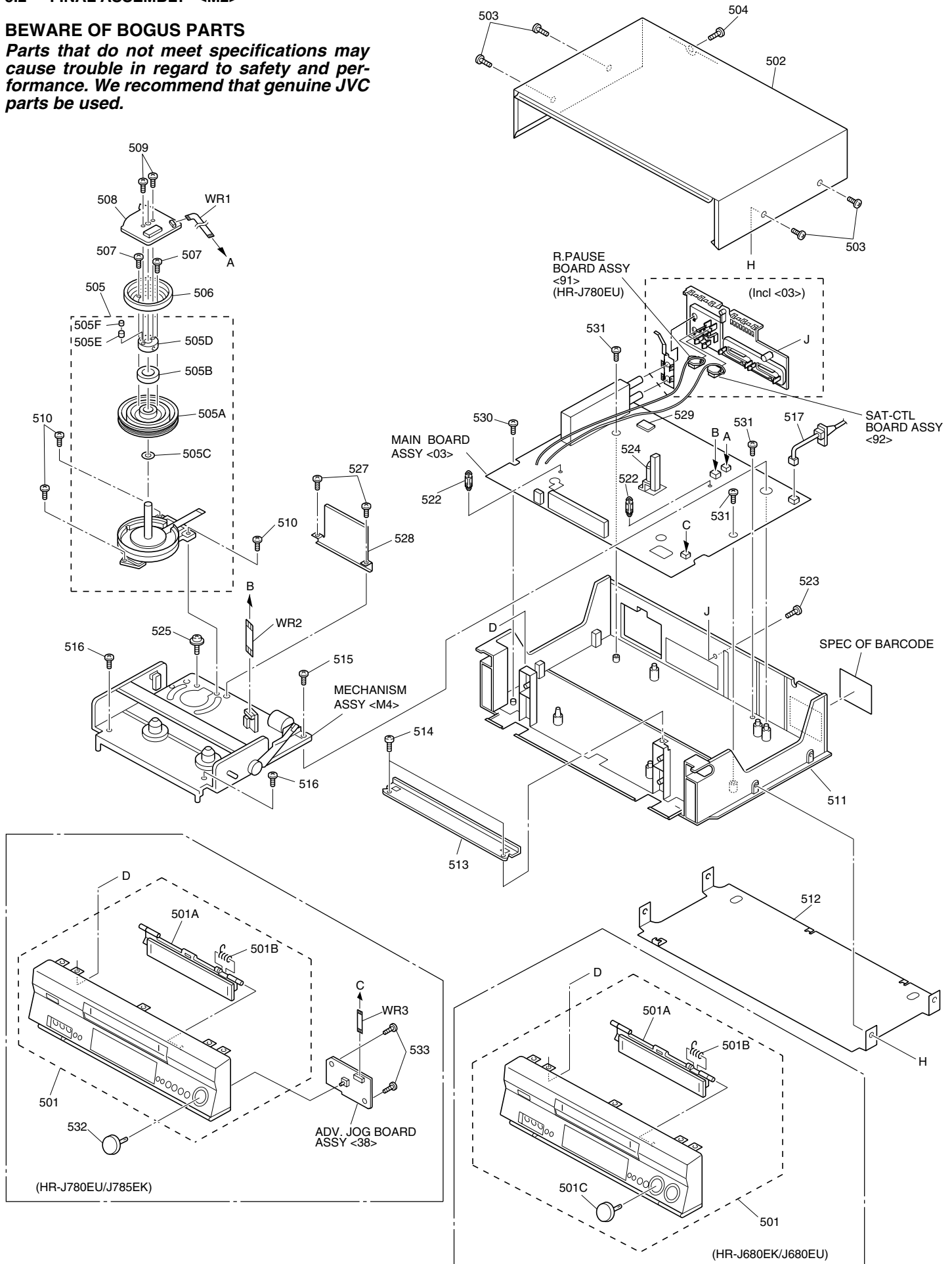


# $\triangle$	REF No.	PART No.	PART NAME, DESCRIPTION	# $\triangle$	REF No.	PART No.	PART NAME, DESCRIPTION	
*****								
<b>PACKING AND ACCESSORY ASSEMBLY &lt;M1&gt;</b>								
		301	LP30855-001A	PACKING CASE				
		302	LP30909-001B	CUSHION ASSY				
		303	PQM30021-93	POLY BAG				
		306	LP20878-002A	REMOTE CONTROLLER				
		306A	LP40610-002A	COVER(BATTERY)				
		307	-	BATTERY,X2("R6" TYPE)				
		308	QPC02202230P	POLY BAG				
$\triangle$		310	LPT0474-001A	INST BOOK(EN),J680EK	$\triangle$		LPT0482-013A	INST BOOK(CZ),J680EU
$\triangle$			LPT0482-001A	INST BOOK(EN),J680EU	$\triangle$		LPT0482-014A	INST BOOK(PO),J680EU
$\triangle$			LPT0482-002A	INST BOOK(GE),J680EU	$\triangle$		LPT0482-015A	INST BOOK(HU),J680EU
$\triangle$			LPT0482-003A	INST BOOK(FR),J680EU	$\triangle$		LPT0483-001A	INST BOOK(EN),J780EU
$\triangle$			LPT0482-004A	INST BOOK(DU),J680EU	$\triangle$		LPT0483-002A	INST BOOK(GE),J780EU
$\triangle$			LPT0482-005A	INST BOOK(SP),J680EU	$\triangle$		LPT0483-003A	INST BOOK(FR),J780EU
$\triangle$			LPT0482-006A	INST BOOK(IT),J680EU	$\triangle$		LPT0483-004A	INST BOOK(DU),J780EU
$\triangle$			LPT0482-007A	INST BOOK(DA),J680EU	$\triangle$		LPT0483-005A	INST BOOK(SW),J780EU
$\triangle$			LPT0482-008A	INST BOOK(FI),J680EU	$\triangle$		LPT0483-006A	INST BOOK(IT),J780EU
$\triangle$			LPT0482-009A	INST BOOK(SW),J680EU	$\triangle$		LPT0483-007A	INST BOOK(DA),J780EU
$\triangle$			LPT0482-010A	INST BOOK(NO),J680EU	$\triangle$		LPT0483-008A	INST BOOK(FI),J780EU
$\triangle$			LPT0482-011A	INST BOOK(PT),J680EU	$\triangle$		LPT0483-009A	INST BOOK(EN),J780EK
$\triangle$			LPT0482-012A	INST BOOK(GR),J680EU	$\triangle$		LPT0483-010A	INST BOOK(NO),J780EU
					$\triangle$		LPT0483-011A	INST BOOK(PT),J780EU
					$\triangle$		LPT0483-012A	INST BOOK(GR),J780EU
					$\triangle$		LPT0483-013A	INST BOOK(CZ),J780EU
					$\triangle$		LPT0483-014A	INST BOOK(PO),J780EU
					$\triangle$		LPT0483-015A	INST BOOK(HU),J780EU
					$\triangle$		LPT0545-001A	INST BOOK(EN),J785EK
						311	QPC02503530P	POLY BAG
						312	PEAC0300-02	RF CABLE
						313	QAL0095-005	LED CABLE ASSY(Satellite Controller),J680EK/J785EK
						316	BT-54013-2	WARRANTY CARD,J680EU/J780EU
						318	BT-54008-2	GUARANTY CARD,J680EK/J785EK
						319	LYT0194-001B	Q.CARD(JUK),J680EK/J785EK

## 5.2 FINAL ASSEMBLY <M2>

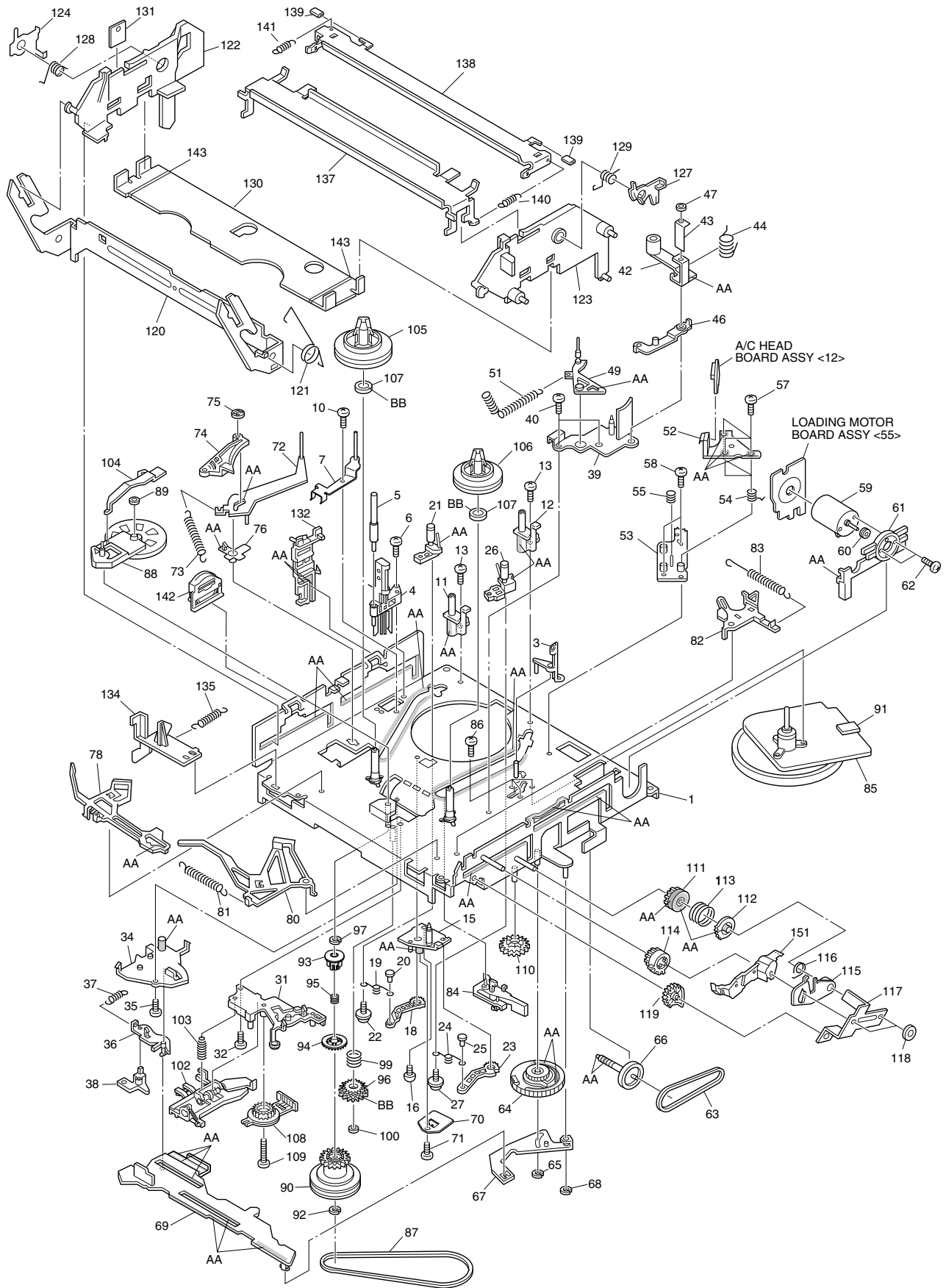
### BEWARE OF BOGUS PARTS

*Parts that do not meet specifications may cause trouble in regard to safety and performance. We recommend that genuine JVC parts be used.*



#	△	REF No.	PART No.	PART NAME, DESCRIPTION	#	△	REF No.	PART No.	PART NAME, DESCRIPTION
*****									
<b>FINAL ASSEMBLY &lt;M2&gt;</b>									
△		501	LP10333-001B	FRONT PANEL ASSY,J680EU					
△			LP10333-005B	FRONT PANEL ASSY,J780EU					
△			LP10333-009B	FRONT PANEL ASSY,J785EK					
△			LP10333-012B	FRONT PANEL ASSY,J680EK					
		501A	LP20961-001A	CASSETTE DOOR					
		501B	PQ46448	TORSION SPRING					
		501C	LP30798-001A	BUTTON(OPE),J680EK/EU					
△		502	LP10013-051A	TOP COVER					
		503	QYTDSF3010R	SCREW,X4 TOP COVER(SIDE)					
		504	QYTDSF3010M	SCREW, TOP COVER(REAR)					
		505	LP20981-002A	DRUM SUB ASSY					
		505A	LP20982-002A	UPPER DRUM ASSY					
		505B	PDM4439	CAP					
		505C	PDM4444-19-2	WASHER					
		505D	LP40572-001A	COLLAR ASSY					
		505E	LP40323-001A	CONTACT					
		505F	LP30004-014A	COMPRESSION SPRING					
		506	PDZ0179-1-4	ROTOR ASSY					
		507	QYSPSP3006Z	SCREW,X2					
△		508	QAR0169-002	STATOR ASSY					
		509	QYSPSPH2606Z	SCREW,X2					
		510	QYTDST2610Z	SCREW,X3 DRUM					
△		511	LP10108-001E	BOTTOM CHASSIS					
△		512	LP10014-002B	BOTTOM COVER					
		513	LP30312-001B	BRACKET(CHASSIS)					
		514	QYTDSF3010Z	SCREW,X2					
		515	QYTDSF4012Z	SCREW,MECHA					
		516	QYTDSF3010Z	SCREW,X2 MECHA					
△		517	QMP4A10-170	POWER CORD,J680EU/J780EU					
△			QMP51K0-170-K	POWER CORD,J680EK/J785EK					
		522	LP40226-001A	PC SUPPORT,X2					
		523	QYTDSF3010M	SCREW,TERMINAL					
		524	LP40253-001B	STOPPER					
		525	PQ40413	SPECIAL SCREW,MECHA					
		527	LP30356-002C	DRUM SHIELD					
		528	QYTDST2606Z	SCREW,X2 DRUM SHIELD					
		529	LP30002-042A	SPACER					
		530	QYTDSF3010Z	SCREW,MAIN					
		531	DPSF3010Z	SCREW,X3					
		532	LP30854-001B	KNOB(ADV.JOG),J780EU/J785EK					
		533	QYTPSFG2608Z	SCREW,X2,J780EU/J785EK					
		WR1	QUQ212-0518CG	FFC WIRE,DRUM CN3001					
		WR2	WJT0005-001A	E-CARD WIRE,A/C HEAD CN2001					
		WR3	QUQ112-0914CG	FFC WIRE,FRONT CN7001,J780EU/J785EK					

### 5.3 MECHANISM ASSEMBLY <M4>



Classification	Part No.	Symbol in drawing
Grease	KYODO-SH-P	AA
Oil	COSMO-HV56	BB

**NOTE:**The section marked in **AA** and **BB** indicate lubrication and greasing areas.

#	△	REF No.	PART No.	PART NAME, DESCRIPTION	#	△	REF No.	PART No.	PART NAME, DESCRIPTION
*****									
<b>MECHANISM ASSEMBLY &lt;M4&gt;</b>									
1			LP20821-006A	MAIN DECK ASSY	75			PQ46302-1-3	ADJUST PIN
3			LP30492-002B	GUIDE POLE GUARD	76			LP30232-002A	TENSION ARM BEARING
4			NAH0001-001	FULL ERASE HEAD	78			LP40532-008B	MAIN BRAKE ASSY (SUPPLY)
5			LP40098-001B	GUIDE POLE(SUPPLY)	80			LP40111-011A	MAIN BRAKE ASSY (TAKE UP)
6			QYTDST2608Z	SCREW,FE HEAD	81			LP30003-026A	TENSION SPRING
7			LP40637-002A	TENSION STUD BASE ASSY	82			LP40112-001F	SUB BRAKE ASSY(TAKE UP)
10			QYTDST2606Z	SCREW	83			LP40357-002A	TENSION SPRING
11			LP30409-002C	UV CATCHER 2	84			LP40461-001A	CAPSTAN BRAKE ASSY
12			LP30409-002C	UV CATCHER 2	85			QAR0087-005	CAPSTAN MOTOR
13			QYTPST2606Z	SCREW,X2	86			QYTDST2606M	SCREW,X3
15			LP30223-003C	LOADING ARM GEAR SHAFT	87			LP30005-007A	BELT,CAPSTAN MOTOR
16			QYTDST2606Z	SCREW	88			LP40114-012A	IDLER ARM ASSY
18			LP30224-001B	LOADING ARM GEAR(SUPPLY)	89			LP40599-001A	WASHER
19			LP40099-001A	TORSION ARM	90			LP40593-001A	CLUTCH UNIT 3
20			LP40100-001A	PIN	91			LP30002-097A	SPACER,CAPSTAN MOTOR
21			LP40101-006A	POLE BASE ASSY(SUPPLY)	92			PQM30017-47	SLIT WASHER
22			QYSPSTG2606Z	SCREW	93			LP30696-002A	CLUTCH GEAR 4
23			LP40103-002B	LOADING ARM GEAR(TAKE UP)	94			LP30697-003A	COUPLING GEAR
24			LP40099-001A	TORSION ARM	95			LP40554-002A	COMPRESSION SPRING
25			LP40100-001A	PIN	96			LP40442-001A	DIRECT GEAR
26			LP40104-006A	POLE BASE ASSY(TAKE UP)	97			LP30017-019A	SPACER
27			QYSPSTG2606Z	SCREW	99			LP40483-002A	COMPRESSION SPRING
31			LP20233-004B	ROTARY ENCODER GUIDE	100			LP30016-001A	SLIT WASHER
32			QYTPST2606Z	SCREW	102			LP40484-001J	CHANGE LEVER ASSY
34			LP30226-004E	CONTROL PLATE GUIDE	103			LP40512-002B	COMPRESSION SPRING
35			QYTPST2605Z	SCREW	104			LP30236-002C	IDLER LEVER
36			LP30249-003B	TAKE UP LEVER	105			LP20237-001B	REEL DISK (SUPPLY)
37			LP30003-006A	TENSION SPRING	106			LP20238-001B	REEL DISK (TAKE UP)
38			LP40119-002A	TAKE UP HEAD	107			LP30017-015A	SPACER,X2
39			LP20234-004B	LID GUIDE	108			QSW0554-003	ROTARY ENCODER
40			QYTDST2606Z	SCREW,X2	109			QYTPST2620Z	SCREW
42			LP40105-003A	PINCH ROLLER ARM ASSY	110			LP30237-002B	CASSETTE GEAR
43			LP40753-001A	PINCH ROLLER SHEET3	111			LP30239-002G	LIMIT GEAR(1)
44			LP40148-002A	TORSION SPRING	112			LP30240-002G	LIMIT GEAR(2)
46			LP40149-001C	PRESS LEVER ASSY	113			LP40136-001E	TORSION SPRING
49			LP40106-007A	GUIDE ARM ASSY	114			LP30242-002A	RELAY GEAR
51			LP40134-002A	TENSION SPRING	115			LP30339-002E	OPENER GUIDE
52			QAH0058-001	AC HEAD	116			LP40545-001A	TORSION SPRING
53			LP30228-001A	HEAD BASE	117			LP40214-001B	C.H.BRACKET
54			LP30004-013A	COMPRESSION SPRING,X3	118			PQM30017-47	SLIT WASHER,X2
55			LP40236-001A	COMPRESSION SPRING	119			LP30243-001D	DRIVE GEAR
57			LP40213-002B	SPECIAL SCREW,X3	120			LP20240-001G	DRIVE ARM
58			QYTDST2608Z	SCREW,X2	121			LP40137-001A	TORSION SPRING
59			QAR0023-001	LOADING MOTOR	122			LP10081-002L	SIDE HOLDER(L)
60			PQ43546-1-2	MOTOR PULLEY	123			LP10082-002M	SIDE HOLDER(R)
61			LP30230-001B	MOTOR GUIDE	124			LP30255-006A	LOCK LEVER(L)
62			QYTPSP3003Z	SCREW,X2	127			LP30256-001H	LOCK LEVER(R)
63			LP30005-003A	BELT,LOADING MOTOR	128			LP40168-003A	TORSION SPRING(L)
64			LP20791-002D	CONTROL CAM	129			LP40218-001B	TORSION SPRING(R)
65			PQM30017-24	SLIT WASHER	130			LP30257-001G	CASSETTE HOLDER
66			LP40120-001A	WORM GEAR	131			LP40852-001A	EARTH PLATE
67			LP40107-002A	LINK LEVER ASSY	132			LP30244-002G	GUIDE RAIL
68			PQM30017-24	SLIT WASHER	134			LP30245-002F	REC SAFETY LEVER
69			LP10201-003E	CONTROL PLATE	135			LP30003-004A	TENSION SPRING
70			LP40379-001B	CONTROL BRACKET(1)	137			LP20578-001C	TOP GUIDE
71			QYTDST2608M	SCREW	138			LP30500-001C	HOLD PLATE
72			LP40108-002A	TENSION ARM ASSY	139			LP40450-003A	PAD,X2
73			LP30003-010A	TENSION SPRING	140			LP30003-025B	TENSION SPRING
74			LP40109-003D	TENSION BRAKE ASSY	141			LP30003-024A	TENSION SPRING
					142			LP40481-003A	ROLLER CAM ASSY
					143			LP30019-014A	PAD,X2
					151			LP20324-003B	DOOR OPENER

## 5.4 ELECTRICAL PARTS LIST

#	△ REF No.	PART No.	PART NAME, DESCRIPTION
*****			
<b>MAIN BOARD ASSEMBLY &lt;03&gt;</b>			
PW1		LPA10131-01D1	MAIN BOARD ASSY,J680EU
		LPA10131-02C1	MAIN BOARD ASSY,J785EK
		LPA10131-04D1	MAIN BOARD ASSY,J780EU
		LPA10131-05C1	MAIN BOARD ASSY,J680EU
IC1		JCP8020-MSD-2	IC
IC201		LC74775-9750	IC
IC3001		HD6432194SXD01F	IC(MCU),J680EK/J785EK
		HD6432194SXD14F	IC(MCU),J680EU/J780EU
IC3002		IC-PST3427U-X	IC
IC3003		AT24C16N-10SC-X	IC
		or BR24C16F	IC
		or X24C16S	IC
		or 24LC16B/SN-X	IC
IC3004		BA6956AN	IC
IC5301		L5431	IC
		or MM1431AT	IC
IC6701		MSP3417D	IC
		or MSP3417DG3	IC
IC7001		PT6956	IC
IC7002		GP1U291Q	IR DETECT UNIT
		or PIC-28143LJ	IR DETECT UNIT
		or PNA4652M00YC	IR DETECT UNIT
IC7101		MM1443XJ	IC
Q1		2SC4081/S/-X	TRANSISTOR
Q2		2SC4081/S/-X	TRANSISTOR
Q3		2SC4081/S/-X	TRANSISTOR
Q4		2SC4081/S/-X	TRANSISTOR
Q23		2SA1576A/QR/-X	TRANSISTOR
		or 2PA1576/R/-X	TRANSISTOR
Q38		2SC4081/QRS/-X	TRANSISTOR
Q41		UN521E	TRANSISTOR,J680EU/J780EU
		or RN1309	TRANSISTOR,J680EU/J780EU
		or DTC144WU	TRANSISTOR,J680EU/J780EU
Q201		2SC4081/QRS/-X	TRANSISTOR
		or 2PC4081/R/-X	TRANSISTOR
Q2001		2SC4081/QRS/-X	TRANSISTOR
		or 2SD1819A/QRS/-X	TRANSISTOR
		or 2PC4081/R/-X	TRANSISTOR
Q2002		2SC4081/QRS/-X	TRANSISTOR
		or 2PC4081/R/-X	TRANSISTOR
		or 2SD1819A/QRS/-X	TRANSISTOR
Q2003		DTA144WU	TRANSISTOR
		or PDTA144WU	TRANSISTOR
		or RN2309	TRANSISTOR
		or UN511E	TRANSISTOR
Q2006		2SC4081/QRS/-X	TRANSISTOR
		or 2SD1819A/QRS/-X	TRANSISTOR
		or 2PC4081/R/-X	TRANSISTOR
Q2051		2SC4081/QRS/-X	TRANSISTOR
		or 2SD1819A/QRS/-X	TRANSISTOR
		or 2PC4081/R/-X	TRANSISTOR
Q2052		2SA1576A/QR/-X	TRANSISTOR
		or 2PA1576/R/-X	TRANSISTOR
		or 2SB1218A/QR/-X	TRANSISTOR
Q2053		DTC144WU	TRANSISTOR
		or PDTC144WU	TRANSISTOR
		or RN1309	TRANSISTOR

#	△ REF No.	PART No.	PART NAME, DESCRIPTION
		or UN521E	TRANSISTOR
Q2054		2SA1576A/QR/-X	TRANSISTOR
		or 2SB1218A/QR/-X	TRANSISTOR
		or 2PA1576/R/-X	TRANSISTOR
Q2055		DTC144WU	TRANSISTOR
		or PDTC144WU	TRANSISTOR
		or RN1309	TRANSISTOR
		or UN521E	TRANSISTOR
Q2061		2SC4081/QRS/-X	TRANSISTOR,J780EU
		or 2SD1819A/QRS/-X	TRANSISTOR,J780EU
		or 2PC4081/R/-X	TRANSISTOR,J780EU
Q2062		2SA1576A/QR/-X	TRANSISTOR,J780EU
		or 2SB1218A/QR/-X	TRANSISTOR,J780EU
		or 2PA1576/R/-X	TRANSISTOR,J780EU
Q2063		DTC144WU	TRANSISTOR,J780EU
		or PDTC144WU	TRANSISTOR,J780EU
		or RN1309	TRANSISTOR,J780EU
		or UN521E	TRANSISTOR,J780EU
Q2251		DTA144WU	TRANSISTOR
		or PDTA144WU	TRANSISTOR
		or RN2309	TRANSISTOR
		or UN511E	TRANSISTOR
Q2252		DTC114EU	TRANSISTOR
		or PDTC114EU	TRANSISTOR
		or RN1302	TRANSISTOR
		or UN5211	TRANSISTOR
Q3001		2SD1819A/QRS/-X	TRANSISTOR
		or 2SC4081/QRS/-X	TRANSISTOR
		or 2PC4081/R/-X	TRANSISTOR
Q3003		PTZ-NV16	PHOTO TRANSISTOR
		or PTZ-NV16A	PHOTO TRANSISTOR
Q3004		2SD1819A/QRS/-X	TRANSISTOR
		or 2SC4081/QRS/-X	TRANSISTOR
		or 2PC4081/R/-X	TRANSISTOR
Q3005		2SD1819A/QRS/-X	TRANSISTOR
		or 2PC4081/R/-X	TRANSISTOR
		or 2SC4081/QRS/-X	TRANSISTOR
Q3007		UN521E	TRANSISTOR
		or PDTC144WU	TRANSISTOR
		or RN1309	TRANSISTOR
		or DTC144WU	TRANSISTOR
Q4001		UN5211	TRANSISTOR
		or RN1302	TRANSISTOR
		or DTC114EU	TRANSISTOR
		or PDTC114EU	TRANSISTOR
Q5101		2SK2632-CB14	POWER MOS FET
		or 2SK2632	POWER MOS FET
		or 2SK2129	POWER MOS FET
		or 2SK2129-LT	POWER MOS FET
Q5102		2SD2144S/UV/-T	TRANSISTOR
Q5302		2SD2375/QP/	TRANSISTOR
Q5303		2SD1819A/RS/-X	TRANSISTOR
		or 2SC4081/RS/-X	TRANSISTOR
		or 2PC4081/R/-X	TRANSISTOR
Q5304		2SC3616/ML/-T	TRANSISTOR
Q5305		DTA114EU	TRANSISTOR
		or RN2302	TRANSISTOR
		or UN5111	TRANSISTOR
		or PDTA114EU	TRANSISTOR
Q5306		DTC114EU	TRANSISTOR
		or PDTC114EU	TRANSISTOR

#	△	REF No.	PART No.	PART NAME, DESCRIPTION		#	△	REF No.	PART No.	PART NAME, DESCRIPTION	
			or RN1302	TRANSISTOR					or S1WB(A)60F4072X	BRIDGE DIODE	
			or UN5211	TRANSISTOR		D5101		AU01	FR DIODE		
Q5308			2SA1576A/RS/-X	TRANSISTOR				or ERA18-04-T2	FR DIODE		
Q6030			2SB1218A/RS/-X	TRANSISTOR				or 10ELS4	FR DIODE		
Q6031			DTC114EU	TRANSISTOR				or 1SR153-400-T2	FR DIODE		
			or PDTC114EU	TRANSISTOR		D5102		AU01	FR DIODE		
			or RN1302	TRANSISTOR				or ERA18-04-T2	FR DIODE		
			or UN5211	TRANSISTOR				or 1SR153-400-T2	FR DIODE		
Q6032			DTC114EU	TRANSISTOR				or 10ELS4	FR DIODE		
			or RN1302	TRANSISTOR		D5103		1SS133	DIODE		
			or UN5211	TRANSISTOR				or 1SS270A	DIODE		
			or PDTC114EU	TRANSISTOR		D5105		1SS133	DIODE		
Q7001			DTA143TU	TRANSISTOR				or 1SS270A	DIODE		
Q7002			DTA143TU	TRANSISTOR		D5203		AU01Z	FR DIODE		
Q7003			DTA143TU	TRANSISTOR				or 10ELS2	FR DIODE		
Q7004			DTA143TU	TRANSISTOR		D5204		AU01Z	FR DIODE		
Q7005			DTA143TU	TRANSISTOR				or 10ELS2	FR DIODE		
Q7101			2SB1218A/QRS/-X	TRANSISTOR		D5208		RK14LF-B2	BARRIER DIODE		
			or 2SA1576A/QRS/-X	TRANSISTOR				or SB240-F26	SB DIODE		
			or 2PA1576/R/-X	TRANSISTOR				or 21DQ04	BARRIER DIODE		
Q7102			DTC144WU	TRANSISTOR		D5210		AU01Z	FR DIODE		
			or PDTC144WU	TRANSISTOR,J680EK/EU/J780EU				or ERA18-02-T2	FR DIODE		
			or RN1309	TRANSISTOR,J680EK/EU/J780EU				or 1SR153-400-T2	FR DIODE		
			or UN521E	TRANSISTOR,J680EK/EU/J780EU				or 10ELS2	FR DIODE		
Q7106			2SA1576A/QRS/-X	TRANSISTOR				or PG104RS	FR DIODE		
			or 2PA1576/R/-X	TRANSISTOR		D5301		MTZJ15C	ZENER DIODE		
Q7107			DTA144WU	TRANSISTOR				or RD15ES/B3/-T2	ZENER DIODE		
			or PDTA144WU	TRANSISTOR		D5302		1SS133	DIODE		
			or RN2309	TRANSISTOR				or 1SS270A	DIODE		
			or UN511E	TRANSISTOR		D5303		RD5.1JS/B2/-T2	ZENER DIODE		
Q7108			DTC144WU	TRANSISTOR				or MA4051N/M/-T2	ZENER DIODE		
			or PDTC144WU	TRANSISTOR		D5304		1SS133	DIODE		
			or RN1309	TRANSISTOR				or 1SS270A	DIODE		
			or UN521E	TRANSISTOR		D5305		AK04	DIODE		
Q7109			2SC4081/QRS/-X	TRANSISTOR				or 11EQS04	SB DIODE		
			or 2SD1819A/QRS/-X	TRANSISTOR				or 1S4	SB DIODE		
			or 2PC4081/R/-X	TRANSISTOR		D5307		QUY160-100Y	IM BUS WIRE		
Q7110			2SC4081/QRS/-X	TRANSISTOR		D5308		MTZJ11C	ZENER DIODE		
			or 2PC4081/R/-X	TRANSISTOR				or RD11ES/B3/-T2	ZENER DIODE		
			or 2SD1819A/QRS/-X	TRANSISTOR		D5316		QUY160-100Y	IM BUS WIRE		
Q7201			2SC1317/RS/-T	TRANSISTOR		D6002		HZ30-2L-T2	ZENER DIODE		
D6			MTZJ5.6C	ZENER DIODE				or HZ30-2LTD	Z DIODE (M)		
			or RD5.6ES/B3/-T2	ZENER DIODE		D6701		1SS133	DIODE		
D201			QRE141J-101Y	RESISTOR	100Ω,1/4W	D7101		1SS133	DIODE		
D202			QRE141J-101Y	RESISTOR	100Ω,1/4W	D7102		1SS133	DIODE		
D203			QRE141J-101Y	RESISTOR	100Ω,1/4W	D7103		QUY160-100Y	IM BUS WIRE		
D2101			MTZJ8.2C	ZENER DIODE		D7105		MTZJ12C	ZENER DIODE		
D3001			LNB2301L01VI	LE DIODE				or RD12ES/B3/-T2	ZENER DIODE		
D3002			1SS133	DIODE		D7106		MTZJ12C	ZENER DIODE		
			or 1SS270A	DIODE				or RD12ES/B3/-T2	ZENER DIODE		
D3003			RD39ES/B3/-T2	ZENER DIODE		R1		NRSA02J-682X	MG RESISTOR	6.8kΩ,1/10W	
			or MTZJ39C	ZENER DIODE		R2		NRSA02J-152X	MG RESISTOR	1.5kΩ,1/10W	
D3004			11ES2	DIODE		R3		NRSA02J-822X	MG RESISTOR	8.2kΩ,1/10W	
			or 1A3G	DIODE		R5		NRSA02J-0R0X	MG RESISTOR	0Ω,1/10W	
D3005			11ES2	DIODE		R6		NRSA02J-273X	MG RESISTOR	27kΩ,1/10W	
			or 1A3G	DIODE		R7		NRSA02J-681X	MG RESISTOR	680Ω,1/10W	
D3008			1SS133	DIODE		R8		QRE141J-101Y	RESISTOR	100Ω,1/4W	
D4001			QUY153-050Y	IM BUS WIRE		R9		QRE141J-101Y	RESISTOR	100Ω,1/4W	
D4002			QUY153-050Y	IM BUS WIRE		R12		QRE141J-101Y	RESISTOR	100Ω,1/4W	
D5001			S1WB/A/60-4102	BRIDGE DIODE		R21		NRSA02J-102X	MG RESISTOR	1kΩ,1/10W	
			or S1WB/A/60-X	BRIDGE DIODE		R22		NRSA02J-102X	MG RESISTOR	1kΩ,1/10W	

#	△ REF No.	PART No.	PART NAME, DESCRIPTION	#	△ REF No.	PART No.	PART NAME, DESCRIPTION
R37		NRSA02J-0R0X	MG RESISTOR 0Ω,1/10W	R3015		NRSA02J-472X	MG RESISTOR 4.7kΩ,1/10W
R46		NRSA02J-331X	MG RESISTOR 330Ω,1/10W	R3016		NRSA02J-102X	MG RESISTOR 1kΩ,1/10W
R50		NRSA02J-102X	MG RESISTOR 1kΩ,1/10W	R3018		NRSA02J-102X	MG RESISTOR 1kΩ,1/10W
R77		NRSA02J-103X	MG RESISTOR 10kΩ,1/10W	R3019		NRSA02J-682X	MG RESISTOR 6.8kΩ,1/10W
R90		NRSA02J-391X	MG RESISTOR 390Ω,1/10W	R3020		NRSA02J-472X	MG RESISTOR 4.7kΩ,1/10W
R92		NRSA02J-152X	MG RESISTOR 1.5kΩ,1/10W	R3021		NRSA02J-472X	MG RESISTOR 4.7kΩ,1/10W
R93		NRSA02J-222X	MG RESISTOR 2.2kΩ,1/10W	R3022		NRSA02J-472X	MG RESISTOR 4.7kΩ,1/10W
R104		NRSA02J-682X	MG RESISTOR 6.8kΩ,1/10W	R3026		NRSA02J-0R0X	MG RESISTOR 0Ω,1/10W
R202		NRSA02J-103X	MG RESISTOR 10kΩ,1/10W	R3027		NRSA02J-0R0X	MG RESISTOR 0Ω,1/10W
R209		NRSA02J-512X	MG RESISTOR 5.1kΩ,1/10W	R3028		NRSA02J-0R0X	MG RESISTOR 0Ω,1/10W
R210		NRSA02J-182X	MG RESISTOR 1.8kΩ,1/10W	R3029		QRE141J-472Y	RESISTOR 4.7kΩ,1/4W
R211		NRSA02J-562X	MG RESISTOR 5.6kΩ,1/10W	R3030		NRSA02J-472X	MG RESISTOR 4.7kΩ,1/10W
R213		NRSA02J-0R0X	MG RESISTOR 0Ω,1/10W	R3031		NRSA02J-472X	MG RESISTOR 4.7kΩ,1/10W
R216		NRSA02J-103X	MG RESISTOR 10kΩ,1/10W	R3032		NRSA02J-472X	MG RESISTOR 4.7kΩ,1/10W
R224		NRSA02J-681X	MG RESISTOR 680Ω,1/10W	R3033		NRSA02J-0R0X	MG RESISTOR 0Ω,1/10W
R225		QUY160-100Y	IM BUS WIRE	R3034		QUY160-100Y	IM BUS WIRE
R2001		QRE141J-681Y	RESISTOR 680Ω,1/4W	R3035		NRSA02J-0R0X	MG RESISTOR 0Ω,1/10W
R2002		NRSA02J-272X	MG RESISTOR 2.7kΩ,1/10W	R3036		NRSA02J-0R0X	MG RESISTOR 0Ω,1/10W
R2003		NRSA02J-101X	MG RESISTOR 100Ω,1/10W	R3037		NRSA02J-0R0X	MG RESISTOR 0Ω,1/10W
R2004		NRSA02J-332X	MG RESISTOR 3.3kΩ,1/10W	R3038		NRSA02J-0R0X	MG RESISTOR 0Ω,1/10W
R2006		NRSA02J-393X	MG RESISTOR,J780EU 39kΩ,1/10W	R3039		QRE141J-102Y	RESISTOR 1kΩ,1/4W
R2007		NRSA02J-393X	MG RESISTOR 39kΩ,1/10W	R3041		NRSA02J-472X	MG RESISTOR 4.7kΩ,1/10W
R2009		NRSA02J-123X	MG RESISTOR,J780EU 12kΩ,1/10W	R3042		QRE141J-102Y	RESISTOR 1kΩ,1/4W
R2010		NRSA02J-123X	MG RESISTOR 12kΩ,1/10W	R3044		NRSA02J-472X	MG RESISTOR 4.7kΩ,1/10W
R2013		NRSA02J-682X	MG RESISTOR 6.8kΩ,1/10W	R3046		NRSA02J-0R0X	MG RESISTOR,J785EK 0Ω,1/10W
R2014		NRSA02J-224X	MG RESISTOR 220kΩ,1/10W	R3047		NRSA02J-0R0X	MG RESISTOR 0Ω,1/10W
R2015		NRSA02J-181X	MG RESISTOR 180Ω,1/10W	R3048		NRSA63J-0R0X	MG RESISTOR 0Ω,1/16W
R2016		NRSA02J-393X	MG RESISTOR 39kΩ,1/10W	R3049		NRSA02J-101X	MG RESISTOR 100Ω,1/10W
R2017		NRSA02J-183X	MG RESISTOR 18kΩ,1/10W	R3050		NRSA02J-101X	MG RESISTOR 100Ω,1/10W
R2018		NRSA02J-472X	MG RESISTOR 4.7kΩ,1/10W	R3051		NRSA02J-102X	MG RESISTOR,J785EK 1kΩ,1/10W
R2019		NRSA02J-472X	MG RESISTOR 4.7kΩ,1/10W	R3052		NRSA02J-471X	MG RESISTOR 470Ω,1/10W
R2022		NRSA02J-562X	MG RESISTOR 5.6kΩ,1/10W	R3053		NRSA02J-471X	MG RESISTOR 470Ω,1/10W
R2053		NRSA02J-472X	MG RESISTOR 4.7kΩ,1/10W	R3054		NRSA02J-0R0X	MG RESISTOR 0Ω,1/10W
R2054		NRSA02J-123X	MG RESISTOR,J680EK/EU/J785EK 12kΩ,1/10W	R3055		NRSA02J-102X	MG RESISTOR 1kΩ,1/10W
		NRSA02J-153X	MG RESISTOR,J780EU 15kΩ,1/10W	R3056		NRSA02J-472X	MG RESISTOR,J780EU/J785EK 4.7kΩ,1/10W
R2055		NRSA02J-3R3X	MG RESISTOR 3.3Ω,1/10W	R3057		NRSA02J-472X	MG RESISTOR,J780EU/J785EK 4.7kΩ,1/10W
R2056		QRE141J-101Y	RESISTOR,J780EU 100Ω,1/4W	R3058		NRSA02J-102X	MG RESISTOR 1kΩ,1/10W
		QRE141J-820Y	RESISTOR,J680EK/EU/J785EK 82Ω,1/4W	R3059		NRSA02J-102X	MG RESISTOR 1kΩ,1/10W
R2057		NRSA02J-473X	MG RESISTOR 47kΩ,1/10W	R3060		NRSA02J-102X	MG RESISTOR 1kΩ,1/10W
R2058		NRSA02J-183X	MG RESISTOR 18kΩ,1/10W	R3061		NRSA02J-102X	MG RESISTOR 1kΩ,1/10W
R2059		NRSA02J-473X	MG RESISTOR 47kΩ,1/10W	R3062		NRSA02J-103X	MG RESISTOR 10kΩ,1/10W
R2060		NRSA02J-183X	MG RESISTOR 18kΩ,1/10W	R3066		NRSA02J-102X	MG RESISTOR 1kΩ,1/10W
R2061		NRSA63J-273X	MG RESISTOR,J780EU 27kΩ,1/16W	R3069		NRSA02J-101X	MG RESISTOR 100Ω,1/10W
R2062		NRSA63J-3R3X	MG RESISTOR,J780EU 3.3Ω,1/16W	R3071		NRSA02J-103X	MG RESISTOR 10kΩ,1/10W
R2063		QRE141J-151Y	RESISTOR,J780EU 150Ω,1/4W	R3072		NRSA02J-102X	MG RESISTOR 1kΩ,1/10W
R2064		NRSA63J-473X	MG RESISTOR,J780EU 47kΩ,1/16W	R3073		NRSA02J-102X	MG RESISTOR 1kΩ,1/10W
R2065		NRSA63J-183X	MG RESISTOR,J780EU 18kΩ,1/16W	R3074		QRE141J-102Y	RESISTOR 1kΩ,1/4W
R2201		QRE141J-151Y	RESISTOR 150Ω,1/4W	R3075		NRSA02J-101X	MG RESISTOR 100Ω,1/10W
R2206		NRSA02J-101X	MG RESISTOR 100Ω,1/10W	R3076		NRSA02J-101X	MG RESISTOR 100Ω,1/10W
R2207		NRSA02J-332X	MG RESISTOR 3.3kΩ,1/10W	R3077		NRSA02J-0R0X	MG RESISTOR 0Ω,1/10W
R2218		NRSA02J-393X	MG RESISTOR,J780EU 39kΩ,1/10W	R3078		NRSA02J-0R0X	MG RESISTOR 0Ω,1/10W
R2219		NRSA02J-393X	MG RESISTOR 39kΩ,1/10W	R3080		NRSA02J-472X	MG RESISTOR,J780EU 4.7kΩ,1/10W
R2223		NRSA02J-123X	MG RESISTOR,J780EU 12kΩ,1/10W	R3081		NRSA02J-102X	MG RESISTOR 1kΩ,1/10W
R2224		QRE141J-123Y	RESISTOR 12kΩ,1/4W	R3085		NRSA02J-102X	MG RESISTOR 1kΩ,1/10W
R2226		NRSA02J-123X	MG RESISTOR 12kΩ,1/10W	R3086		NRSA02J-102X	MG RESISTOR 1kΩ,1/10W
R2227		QRE141J-123Y	RESISTOR 12kΩ,1/4W	R3087		NRSA02J-0R0X	MG RESISTOR 0Ω,1/10W
R2228		NRSA02J-103X	MG RESISTOR 10kΩ,1/10W	R3088		QUY160-100Y	IM BUS WIRE
R2229		NRSA02J-563X	MG RESISTOR 56kΩ,1/10W	R3089		NRSA02J-0R0X	MG RESISTOR 0Ω,1/10W
R2251		NRSA02J-471X	MG RESISTOR 470Ω,1/10W	R3090		QRE141J-102Y	RESISTOR 1kΩ,1/4W
R3013		NRSA02J-472X	MG RESISTOR 4.7kΩ,1/10W	R3093		QUY160-100Y	IM BUS WIRE
R3014		NRSA02J-472X	MG RESISTOR 4.7kΩ,1/10W	R3104		NRSA02J-0R0X	MG RESISTOR 0Ω,1/10W



#	△	REF No.	PART No.	PART NAME, DESCRIPTION	#	△	REF No.	PART No.	PART NAME, DESCRIPTION
R3105			NRSA02J-0R0X	MG RESISTOR 0Ω,1/10W	R5108			NRSA02J-152X	MG RESISTOR 1.5kΩ,1/10W
R3106			QUY160-100Y	IM BUS WIRE,J780EU	R5109			QRE141J-681Y	RESISTOR 680Ω,1/4W
R3201			NRSA02J-103X	MG RESISTOR 10kΩ,1/10W	R5110			NRSA02J-224X	MG RESISTOR 220kΩ,1/10W
R3202			NRSA02J-472X	MG RESISTOR 4.7kΩ,1/10W	R5111			NRSA02J-681X	MG RESISTOR 680Ω,1/10W
R3203			NRSA02J-103X	MG RESISTOR 10kΩ,1/10W	R5112			NRSA02J-221X	MG RESISTOR 220Ω,1/10W
R3204			NRSA02J-222X	MG RESISTOR 2.2kΩ,1/10W	R5301			NRSA02J-472X	MG RESISTOR 4.7kΩ,1/10W
R3205			QRE141J-181Y	RESISTOR 180Ω,1/4W	R5302			NRSA02J-102X	MG RESISTOR 1kΩ,1/10W
R3207			NRSA02J-183X	MG RESISTOR 18kΩ,1/10W	R5303			NRSA02J-122X	MG RESISTOR 1.2kΩ,1/10W
R3208			QRE141J-181Y	RESISTOR 180Ω,1/4W	R5304			NRSA02J-471X	MG RESISTOR 470Ω,1/10W
R3209			QRE141J-273Y	RESISTOR 27kΩ,1/4W	R5305			NRSA02J-102X	MG RESISTOR 1kΩ,1/10W
R3210			NRSA02J-181X	MG RESISTOR 180Ω,1/10W	R5306			NRSA02J-471X	MG RESISTOR 470Ω,1/10W
R3211			NRSA02J-273X	MG RESISTOR 27kΩ,1/10W	R5308			NRSA02J-471X	MG RESISTOR 470Ω,1/10W
R3212			NRSA02J-474X	MG RESISTOR 470kΩ,1/10W	R5309			NRSA02J-103X	MG RESISTOR 10kΩ,1/10W
R3213			NRSA02J-334X	MG RESISTOR 330kΩ,1/10W	R5310			NRSA02J-471X	MG RESISTOR 470Ω,1/10W
R3214			NRSA02J-103X	MG RESISTOR 10kΩ,1/10W	R5311			NRSA02J-473X	MG RESISTOR 47kΩ,1/10W
R3215			NRSA02J-103X	MG RESISTOR 10kΩ,1/10W	R5312			QRE141J-332Y	RESISTOR 3.3kΩ,1/4W
R3216			NRSA02J-103X	MG RESISTOR 10kΩ,1/10W	R5313			NRSA02D-332X	MG RESISTOR 3.3kΩ,1/10W
R3217			NRSA02J-562X	MG RESISTOR 5.6kΩ,1/10W	R5314			NRSA02J-102X	MG RESISTOR 1kΩ,1/10W
R3218			QRE141J-472Y	RESISTOR 4.7kΩ,1/4W	R5316			NRSA02D-123X	MG RESISTOR 12kΩ,1/10W
R3219			NRSA02J-472X	MG RESISTOR 4.7kΩ,1/10W	R5317			NRSA02J-473X	MG RESISTOR 47kΩ,1/10W
R3220			NRSA02J-104X	MG RESISTOR 100kΩ,1/10W	R5320			NRSA02J-273X	MG RESISTOR 27kΩ,1/10W
R3222			NRSA02J-103X	MG RESISTOR 10kΩ,1/10W	R5321			QRE141J-273Y	RESISTOR 27kΩ,1/4W
R3223			NRSA02J-152X	MG RESISTOR 1.5kΩ,1/10W	R6020			NRSA02J-102X	MG RESISTOR 1kΩ,1/10W
R3224			NRSA02J-152X	MG RESISTOR 1.5kΩ,1/10W	R6021			NRSA02J-102X	MG RESISTOR 1kΩ,1/10W
R3225			NRSA02J-103X	MG RESISTOR 10kΩ,1/10W	R6030			NRSA02J-102X	MG RESISTOR 1kΩ,1/10W
R3226			NRSA02J-103X	MG RESISTOR 10kΩ,1/10W	R6031			NRSA02J-271X	MG RESISTOR 270Ω,1/10W
R3227			NRSA02J-103X	MG RESISTOR 10kΩ,1/10W	R6032			NRSA02J-472X	MG RESISTOR 4.7kΩ,1/10W
R3229			NRSA02J-105X	MG RESISTOR 1MΩ,1/10W	R6033			NRSA02J-182X	MG RESISTOR 1.8kΩ,1/10W
R3230			NRSA02J-472X	MG RESISTOR 4.7kΩ,1/10W	R6050			QRE141J-101Y	RESISTOR 100Ω,1/4W
R3231			NRSA02J-102X	MG RESISTOR 1kΩ,1/10W	R6051			NRSA02J-101X	MG RESISTOR 100Ω,1/10W
R3232			NRSA02J-472X	MG RESISTOR 4.7kΩ,1/10W	R6052			NRSA02J-101X	MG RESISTOR 100Ω,1/10W
R3234			QRE141J-103Y	RESISTOR 10kΩ,1/4W	R6702			NRSA02J-182X	MG RESISTOR 1.8kΩ,1/10W
R3235			NRSA02J-332X	MG RESISTOR 3.3kΩ,1/10W	R6707			NRSA02J-330X	MG RESISTOR 33Ω,1/10W
R3236			NRSA02J-332X	MG RESISTOR 3.3kΩ,1/10W	R6708			QUY153-050Y	IM BUS WIRE
R3240			NRSA02J-105X	MG RESISTOR 1MΩ,1/10W	R6709			QUY153-050Y	IM BUS WIRE
R3244			NRSA02J-333X	MG RESISTOR,J780EU/J785EK 33kΩ,1/10W	R6710			NRSA02J-0R0X	MG RESISTOR 0Ω,1/10W
R3245			NRSA02J-333X	MG RESISTOR,J780EU/J785EK 33kΩ,1/10W	R6711			NRSA02J-684X	MG RESISTOR 680kΩ,1/10W
R3251			NRSA02J-103X	MG RESISTOR,J780EU 10kΩ,1/10W	R6712			NRSA02J-102X	MG RESISTOR 1kΩ,1/10W
R4003			NRSA02J-561X	MG RESISTOR 560Ω,1/10W	R6713			NRSA02J-123X	MG RESISTOR 12kΩ,1/10W
R4004			NRSA02J-561X	MG RESISTOR 560Ω,1/10W	R6714			NRSA02J-102X	MG RESISTOR 1kΩ,1/10W
R4005			NRSA02J-562X	MG RESISTOR 5.6kΩ,1/10W	R6715			NRSA02J-123X	MG RESISTOR 12kΩ,1/10W
R4007			QRE141J-102Y	RESISTOR 1kΩ,1/4W	R6716			NRSA02J-470X	MG RESISTOR 47Ω,1/10W
R4008			NRSA02J-0R0X	MG RESISTOR 0Ω,1/10W	R6719			NRSA02J-103X	MG RESISTOR 10kΩ,1/10W
R4009			NRSA02J-102X	MG RESISTOR 1kΩ,1/10W	R6720			NRSA02J-562X	MG RESISTOR 5.6kΩ,1/10W
R4010			NRSA02J-102X	MG RESISTOR 1kΩ,1/10W	R6721			NRSA02J-562X	MG RESISTOR 5.6kΩ,1/10W
R4011			NRSA02J-472X	MG RESISTOR 4.7kΩ,1/10W	R7001			NRSA02J-331X	MG RESISTOR 330Ω,1/10W
R4012			NRSA02J-222X	MG RESISTOR 2.2kΩ,1/10W	R7015			NRSA02J-0R0X	MG RESISTOR 0Ω,1/10W
R4013			NRSA02J-102X	MG RESISTOR 1kΩ,1/10W	R7020			NRSA02J-103X	MG RESISTOR 10kΩ,1/10W
R4014			NRSA02J-0R0X	MG RESISTOR 0Ω,1/10W	R7021			NRSA02J-122X	MG RESISTOR 1.2kΩ,1/10W
R4015			NRSA02J-562X	MG RESISTOR 5.6kΩ,1/10W	R7022			NRSA02J-182X	MG RESISTOR 1.8kΩ,1/10W
R4017			NRSA02J-102X	MG RESISTOR 1kΩ,1/10W	R7023			NRSA02J-222X	MG RESISTOR 2.2kΩ,1/10W
R4018			NRSA02J-102X	MG RESISTOR 1kΩ,1/10W	R7024			NRSA02J-272X	MG RESISTOR 2.7kΩ,1/10W
R4019			NRSA02J-103X	MG RESISTOR 10kΩ,1/10W	R7025			NRSA02J-472X	MG RESISTOR 4.7kΩ,1/10W
R4020			QRE141J-103Y	RESISTOR 10kΩ,1/4W	R7030			NRSA02J-103X	MG RESISTOR 10kΩ,1/10W
R4021			NRSA02J-103X	MG RESISTOR 10kΩ,1/10W	R7031			NRSA02J-122X	MG RESISTOR 1.2kΩ,1/10W
R5101			QRE141J-334Y	RESISTOR 330kΩ,1/4W	R7032			NRSA02J-182X	MG RESISTOR 1.8kΩ,1/10W
R5102			QRE141J-334Y	RESISTOR 330kΩ,1/4W	R7033			NRSA02J-222X	MG RESISTOR 2.2kΩ,1/10W
R5103			QRE141J-683Y	RESISTOR 68kΩ,1/4W	R7034			NRSA02J-272X	MG RESISTOR 2.7kΩ,1/10W
R5104			QRG02GJ-683	OMF RESISTOR 68kΩ,2W	R7035			NRSA02J-472X	MG RESISTOR 4.7kΩ,1/10W
R5106			QRT01DJ-R39X	MF RESISTOR 0.39Ω,1W	R7036			NRSA02J-682X	MG RESISTOR 6.8kΩ,1/10W
R5107			QRE121J-331Y	RESISTOR 330Ω,1/2W	R7037			NRSA02J-563X	MG RESISTOR 56kΩ,1/10W

#	△ REF No.	PART No.	PART NAME, DESCRIPTION	#	△ REF No.	PART No.	PART NAME, DESCRIPTION
R7101		NRSA63J-473X	MG RESISTOR 47kΩ,1/16W	C4		NCB21HK-103X	CAPACITOR 0.01μF,50V
R7102		NRSA63J-102X	MG RESISTOR 1kΩ,1/16W	C5		QEKJ0JM-227	E CAPACITOR 220μF,6.3V
R7103		NRSA02J-750X	MG RESISTOR 75Ω,1/10W	C6		NCB21EK-104X	CAPACITOR 0.1μF,25V
R7105		NRSA02J-331X	MG RESISTOR 330Ω,1/10W	C8		NCB21EK-473X	CAPACITOR 0.047μF,25V
R7107		NRSA02J-331X	MG RESISTOR 330Ω,1/10W	C10		NDC21HJ-151X	CAPACITOR 150pF,50V
R7108		QRE141J-750Y	RESISTOR 75Ω,1/4W	C11		NCB21EK-104X	CAPACITOR 0.1μF,25V
R7110		NRSA02J-221X	MG RESISTOR 220Ω,1/10W	C12		NDC21HJ-470X	CAPACITOR 47pF,50V
R7111		NRSA02J-221X	MG RESISTOR 220Ω,1/10W	C14		NCB21EK-104X	CAPACITOR 0.1μF,25V
R7112		NRSA02J-331X	MG RESISTOR 330Ω,1/10W	C15		NCB21HK-103X	CAPACITOR 0.01μF,50V
R7113		NRSA02J-750X	MG RESISTOR 75Ω,1/10W	C16		NCB21EK-104X	CAPACITOR 0.1μF,25V
R7114		NRSA02J-221X	MG RESISTOR 220Ω,1/10W	C17		QEKJ1HM-335	E CAPACITOR 3.3μF,50V
R7116		NRSA02J-221X	MG RESISTOR 220Ω,1/10W	C19		QEKJ1HM-225	E CAPACITOR 2.2μF,50V
R7117		QRE141J-750Y	RESISTOR 75Ω,1/4W	C20		QEQF1HM-105	NP E CAPACITOR 1μF,50V
R7119		NQL402M-4R7X	COIL 4.7μH	C21		NCB21EK-104X	CAPACITOR 0.1μF,25V
R7120		NQL402M-4R7X	COIL 4.7μH	C22		QEKJ0JM-476	E CAPACITOR 47μF,6.3V
R7122		NRSA02J-331X	MG RESISTOR 330Ω,1/10W	C23		NCB21EK-104X	CAPACITOR 0.1μF,25V
R7124		NRSA02J-331X	MG RESISTOR 330Ω,1/10W	C24		NCB21EK-104X	CAPACITOR 0.1μF,25V
R7131		NRSA02J-331X	MG RESISTOR 330Ω,1/10W	C25		NDC21HJ-6R0X	CAPACITOR 6pF,50V
R7133		QRE141J-471Y	RESISTOR 470Ω,1/4W	C27		NCB21EK-223X	CAPACITOR 0.022μF,25V
R7134		NRSA02J-471X	MG RESISTOR 470Ω,1/10W	C28		QEKJ1HM-335	E CAPACITOR 3.3μF,50V
R7135		NQR0148-002X	FERRITE BEAD	C29		NCB21EK-333X	CAPACITOR 0.033μF,25V
R7136		NQR0148-002X	FERRITE BEAD	C30		QEKJ1HM-474	E CAPACITOR 0.47μF,50V
R7137		NRSA02J-102X	MG RESISTOR 1kΩ,1/10W	C31		QEKJ0JM-476	E CAPACITOR 47μF,6.3V
R7139		QRE141J-101Y	RESISTOR 100Ω,1/4W	C32		NCB21EK-104X	CAPACITOR 0.1μF,25V
R7140		NRSA02J-101X	MG RESISTOR 100Ω,1/10W	C33		QEKJ1HM-225	E CAPACITOR 2.2μF,50V
R7142		NRSA02J-681X	MG RESISTOR 680Ω,1/10W	C34		NCB21CK-224X	CAPACITOR 0.22μF,16V
R7144		NRSA02J-681X	MG RESISTOR 680Ω,1/10W	C35		NCB21HK-103X	CAPACITOR 0.01μF,50V
R7146		NRSA02J-102X	MG RESISTOR 1kΩ,1/10W	C36		QERF1EM-475	E CAPACITOR 4.7μF,25V
R7147		NRSA02J-222X	MG RESISTOR 2.2kΩ,1/10W	C37		QEKJ1HM-105	E CAPACITOR 1μF,50V
R7148		NRSA02J-222X	MG RESISTOR 2.2kΩ,1/10W	C38		QEKJ0JM-476	E CAPACITOR 47μF,6.3V
R7149		NRSA02J-101X	MG RESISTOR 100Ω,1/10W	C39		NCB21EK-104X	CAPACITOR 0.1μF,25V
R7150		NRSA02J-101X	MG RESISTOR 100Ω,1/10W	C40		QEKJ1EM-106	E CAPACITOR 10μF,25V
R7160		NRSA02J-331X	MG RESISTOR,J780EU 330Ω,1/10W	C43		NCB21HK-102X	CAPACITOR 0.001μF,50V
R7161		NRSA02J-101X	MG RESISTOR,J780EU 100Ω,1/10W	C51		QEKJ1HM-105	E CAPACITOR,J780EU 1μF,50V
R7162		NRSA02J-331X	MG RESISTOR,J780EU 330Ω,1/10W	C53		NRSA02J-0R0X	MG RESISTOR 0Ω,1/10W
R7163		NRSA02J-750X	MG RESISTOR,J780EU 75Ω,1/10W	C62		NCB21EK-104X	CAPACITOR 0.1μF,25V
R7202		QRE141J-221Y	RESISTOR 220Ω,1/4W	C64		NDC21HJ-220X	CAPACITOR 22pF,50V
R7203		NRSA02J-472X	MG RESISTOR 4.7kΩ,1/10W	C65		QEKJ1HM-105	E CAPACITOR 1μF,50V
R7204		QRE123J-100X	RESISTOR 10Ω,1/2W	C69		NCB21HK-103X	CAPACITOR 0.01μF,50V
R7205		NRSA02J-223X	MG RESISTOR 22kΩ,1/10W	C70		NCB21HK-103X	CAPACITOR 0.01μF,50V
R7206		NRSA02J-223X	MG RESISTOR 22kΩ,1/10W	C81		NCB21HK-103X	CAPACITOR 0.01μF,50V
B5		NRSA02J-0R0X	MG RESISTOR 0Ω,1/10W	C92		NDC21HJ-330X	CAPACITOR 33pF,50V
B24		NRSA02J-0R0X	MG RESISTOR 0Ω,1/10W	C94		NRSA02J-0R0X	MG RESISTOR 0Ω,1/10W
B28		NRSA02J-0R0X	MG RESISTOR 0Ω,1/10W	C106		NCB21HK-821X	CAPACITOR 820pF,50V
B35		NRSA02J-0R0X	MG RESISTOR 0Ω,1/10W	C108		NDC21HJ-680X	CAPACITOR 68pF,50V
B71		NRSA02J-0R0X	MG RESISTOR 0Ω,1/10W	C109		NCB21CK-224X	CAPACITOR 0.22μF,16V
B204		NRSA02J-0R0X	MG RESISTOR 0Ω,1/10W	C110		NDC21HJ-820X	CAPACITOR 82pF,50V
B2051		NRSA02J-0R0X	MG RESISTOR,J680EU/J785EK 0Ω,1/10W	C114		NDC21HJ-181X	CAPACITOR,J680EU/J780EU 180pF,50V
B3002		QUY153-050Y	IM BUS WIRE	C204		NDC21HJ-100X	CAPACITOR 10pF,50V
B3004		NRSA02J-0R0X	MG RESISTOR 0Ω,1/10W	C206		NDC21HJ-330X	CAPACITOR 33pF,50V
B3005		NRSA02J-0R0X	MG RESISTOR 0Ω,1/10W	C207		NDC21HJ-330X	CAPACITOR 33pF,50V
B5302		QUY153-050Y	IM BUS WIRE	C209		NCB21CK-474X	CAPACITOR 0.47μF,16V
B6701		NRSA02J-0R0X	MG RESISTOR 0Ω,1/10W	C212		NCB21EK-104X	CAPACITOR 0.1μF,25V
B7003		NRSA02J-0R0X	MG RESISTOR 0Ω,1/10W	C213		QERF1HM-475	E CAPACITOR 4.7μF,50V
B7008		NRSA02J-0R0X	MG RESISTOR,J680EK/EU 0Ω,1/10W	C214		NCB21CK-224X	CAPACITOR 0.22μF,16V
B7009		NRSA02J-0R0X	MG RESISTOR 0Ω,1/10W	C215		NCB21CK-224X	CAPACITOR 0.22μF,16V
B7118		NRSA02J-0R0X	MG RESISTOR 0Ω,1/10W	C216		QERF1AM-227	E CAPACITOR 220μF,10V
B7120		NRSA02J-0R0X	MG RESISTOR 0Ω,1/10W	C217		NDC21HJ-560X	CAPACITOR 56pF,50V
C1		NCB21HK-103X	CAPACITOR 0.01μF,50V	C218		NCB21CK-105X	CAPACITOR 1μF,16V
C2		NCB21HK-103X	CAPACITOR 0.01μF,50V	C222		QERF1HM-105	E CAPACITOR 1μF,50V
C3		NCB21HK-103X	CAPACITOR 0.01μF,50V	C226		QERF0JM-107	E CAPACITOR 100μF,6.3V

#	△	REF No.	PART No.	PART NAME, DESCRIPTION	#	△	REF No.	PART No.	PART NAME, DESCRIPTION
C2001			QEKJ1HM-475	E CAPACITOR 4.7μF,50V	C3026			NCB21HK-103X	CAPACITOR 0.01μF,50V
C2002			QEKJ1EM-106	E CAPACITOR 10μF,25V	C3027			QEKJ1CM-106	E CAPACITOR 10μF,16V
C2003			QEKJ0JM-476	E CAPACITOR 47μF,6.3V	C3030			QEKJ0JM-476	E CAPACITOR 47μF,6.3V
C2005			QEKJ1HM-475	E CAPACITOR 4.7μF,50V	C3031			NCB21EK-473X	CAPACITOR 0.047μF,25V
C2006			NCB21HK-123X	CAPACITOR 0.012μF,50V	C3032			NCB21EK-473X	CAPACITOR 0.047μF,25V
C2007			QEKJ1CM-226	E CAPACITOR 22μF,16V	C3033			NCB21EK-473X	CAPACITOR 0.047μF,25V
C2008			QEKJ1HM-475	E CAPACITOR 4.7μF,50V	C3036			NDC21HJ-180X	CAPACITOR 18pF,50V
C2009			NCB21HK-102X	CAPACITOR 0.001μF,50V	C3037			NDC21HJ-120X	CAPACITOR 12pF,50V
C2010			NCB21HK-152X	CAPACITOR 0.0015μF,50V	C3040			NCB21EK-473X	CAPACITOR 0.047μF,25V
C2011			QEKJ1HM-475	E CAPACITOR 4.7μF,50V	C3041			NDC21HJ-100X	CAPACITOR,J680EK/J785EK 10pF,50V
C2012			QKEC1HM-475	E CAPACITOR 4.7μF,50V	C3045			NDC21HJ-101X	CAPACITOR 100pF,50V
C2016			NDC21HJ-330X	CAPACITOR 33pF,50V	C3050			NCF21EZ-104X	CAPACITOR 0.1μF,25V
C2051			NCB21HK-331X	CAPACITOR 330pF,50V	C3051			NCB21EK-104X	CAPACITOR 0.1μF,25V
C2052			QFLC1HJ-333Z	F CAPACITOR,J780EU 0.033μF,50V	C3101			QER61CM-106	E CAPACITOR 10μF,16V
			QFLC1HJ-823Z	F CAPACITOR,J680EK/EU/J785EK 0.082μF,50V	C4002			QDYB1CM-103Y	CAPACITOR 0.01μF,16V
C2053			NCB21HK-332X	CAPACITOR,J780EU 0.0033μF,50V	C4003			NCB21HK-102X	CAPACITOR 0.001μF,50V
			NCB21HK-472X	CAPACITOR,J680EK/EU/J785EK 0.0047μF,50V	C4004			QERF1CM-226	E CAPACITOR 22μF,16V
C2054			NCB21EK-223X	CAPACITOR,J680EK/EU/J785EK 0.022μF,25V	C4005			NCB21HK-222X	CAPACITOR 0.0022μF,50V
			NCB21HK-103X	CAPACITOR,J780EU 0.01μF,50V	C4006			QERF0JM-476	E CAPACITOR 47μF,6.3V
C2055			QEKJ1EM-106	E CAPACITOR 10μF,25V	C4007			NCB31HK-561X	CAPACITOR,J780EU 560pF,50V
C2061			QFLC1HJ-333Z	F CAPACITOR,J780EU 0.033μF,50V	C4008			QEZF1HM-105	NP E CAPACITOR 1μF,50V
C2062			NCB31HK-332X	CAPACITOR,J780EU 0.0033μF,50V	C4009			NCB21HK-563X	CAPACITOR 0.056μF,50V
C2063			NCB31EK-103X	CAPACITOR,J780EU 0.01μF,25V	C4010			NCB21EK-223X	CAPACITOR 0.022μF,25V
C2064			QEKJ1EM-106	E CAPACITOR,J780EU 10μF,25V	C4011			NCB21EK-104X	CAPACITOR 0.1μF,25V
C2201			NCB21EK-104X	CAPACITOR 0.1μF,25V	C4012			QERF1HM-105	E CAPACITOR 1μF,50V
C2202			NCB21EK-333X	CAPACITOR 0.033μF,25V	C4013			NCB21HK-563X	CAPACITOR 0.056μF,50V
C2203			QEKJ1EM-106	E CAPACITOR 10μF,25V	C4014			NDC21HJ-101X	CAPACITOR 100pF,50V
C2204			NCB21HK-102X	CAPACITOR 0.001μF,50V	C4015			NCB21HK-102X	CAPACITOR 0.001μF,50V
C2205			QEKJ1HM-105	E CAPACITOR 1μF,50V	C4016			NDC21HJ-101X	CAPACITOR 100pF,50V
C2206			QEKJ1EM-106	E CAPACITOR 10μF,25V	△ C5001			QFZ9073-683	F CAPACITOR 0.068μF,250V
C2207			QEKJ1CM-476	E CAPACITOR 47μF,16V	△ C5002			QFZ9051-333	F CAPACITOR 0.033μF,250V
C2208			QEKJ1HM-475	E CAPACITOR 4.7μF,50V	△ C5004			QCZ9071-222	CAPACITOR 0.0022μF,250V
C2215			QEKJ1HM-475	E CAPACITOR 4.7μF,50V	C5006			QEZ0375-686	E CAPACITOR 68μF,400V
C2217			QEKJ1EM-106	E CAPACITOR 10μF,25V	C5101			QCZ0212-472	CAPACITOR 0.0047μF,1kV
C2219			QEKJ1EM-106	E CAPACITOR 10μF,25V	C5102			QCZ0302-330Z	CAPACITOR 33pF,1kV
C2220			QEKJ1HM-475	E CAPACITOR 4.7μF,50V	C5104			QKEC1HM-105	E CAPACITOR 1μF,50V
C2221			NCB21HK-103X	CAPACITOR 0.01μF,50V	C5105			QFN31HJ-183	F CAPACITOR 0.018μF,50V
C2222			QEKJ1HM-474	E CAPACITOR 0.47μF,50V	C5106			QCB1HJ-271	CAPACITOR 270pF,50V
C2223			QEKJ1HM-474	E CAPACITOR 0.47μF,50V	C5107			QFV91HJ-104	F CAPACITOR 0.1μF,50V
C2224			NCB21HK-103X	CAPACITOR 0.01μF,50V	C5202			QEMT1CM-687	E CAPACITOR 680μF,16V
C2225			QEKJ1HM-475	E CAPACITOR 4.7μF,50V	C5203			QEMT1AM-128	E CAPACITOR 1200μF,10V
C2226			QEKJ1EM-106	E CAPACITOR 10μF,25V	C5204			QETN2AM-475	E CAPACITOR 4.7μF,100V
C2227			NCB21EK-104X	CAPACITOR 0.1μF,25V	C5206			QETN1AM-476	E CAPACITOR 47μF,10V
C2228			NCB21EK-104X	CAPACITOR 0.1μF,25V	C5207			QETN1CM-107	E CAPACITOR 100μF,16V
C2251			QEKJ0JM-476	E CAPACITOR 47μF,6.3V	C5301			QEKJ1CM-107	E CAPACITOR 100μF,16V
C2252			QDYB1CM-103Y	CAPACITOR 0.01μF,16V	C5302			QETJ1CM-107	E CAPACITOR 100μF,16V
C2253			NCB21HK-103X	CAPACITOR 0.01μF,50V	C5303			QEKJ1CM-107	E CAPACITOR 100μF,16V
C2254			NCB21HK-103X	CAPACITOR 0.01μF,50V	C5304			QFLC1HJ-102Z	F CAPACITOR 0.001μF,50V
C2255			NDC21HJ-181X	CAPACITOR 180pF,50V	C5305			QFV91HJ-154	F CAPACITOR 0.15μF,50V
C3001			NCF21EZ-104X	CAPACITOR 0.1μF,25V	C6005			QETJ1HM-106	E CAPACITOR 10μF,50V
C3002			NCB21HK-103X	CAPACITOR 0.01μF,50V	C6007			QEKJ0JM-227	E CAPACITOR 220μF,6.3V
C3003			QEKJ1HM-106	E CAPACITOR 10μF,50V	C6012			QEKJ1AM-107	E CAPACITOR 100μF,10V
C3004			NCB21EK-473X	CAPACITOR 0.047μF,25V	C6013			NCB21HK-103X	CAPACITOR 0.01μF,50V
C3011			QETL0JM-338	E CAPACITOR 3300μF,6.3V	C6016			NCB21HK-103X	CAPACITOR 0.01μF,50V
C3012			QEKJ0JM-476	E CAPACITOR 47μF,6.3V	C6023			NRSA02J-0R0X	MG RESISTOR 0Ω, 1/10W
C3014			QERF0JM-476	E CAPACITOR 47μF,6.3V	C6027			NCB21HK-103X	CAPACITOR 0.01μF,50V
C3016			NCB21EK-473X	CAPACITOR 0.047μF,25V	C6032			NCB21EK-473X	CAPACITOR 0.047μF,25V
C3022			NCB21EK-473X	CAPACITOR 0.047μF,25V	C6037			QEKJ1CM-106	E CAPACITOR 10μF,16V
C3024			NDC21HJ-120X	CAPACITOR,J785EK 12pF,50V	C6701			NRSA02J-0R0X	MG RESISTOR 0Ω, 1/10W
			NDC21HJ-220X	CAPACITOR,J680EK/EU/J780EU 22pF,50V	C6704			NCB21HK-103X	CAPACITOR 0.01μF,50V
C3025			QAT3725-300Z	TRIM CAPACITOR,TIMER CLOCK,J680EU/J780EU	C6707			NDC21HJ-470X	CAPACITOR 47pF,50V

#	△ REF No.	PART No.	PART NAME, DESCRIPTION	#	△ REF No.	PART No.	PART NAME, DESCRIPTION
C6708		NDC21HJ-8R0X	CAPACITOR 8pF,50V	L5		QQL29BJ-100Z	COIL 10μH
C6709		NDC21HJ-2R0X	CAPACITOR 2pF,50V	L12		QQR0967-001	COIL 12μH
C6713		NCF21CZ-224X	CAPACITOR 0.22μF,16V	L13		QQL071J-330Y	COIL 33μH
C6714		NCB21HK-682X	CAPACITOR 0.0068μF,50V	L22		QQL231J-1R0Y	COIL 1μH
C6715		QEKJ1HM-225	E CAPACITOR 2.2μF,50V	L24		QQL071J-270Y	COIL 27μH
C6716		NCB21HK-682X	CAPACITOR 0.0068μF,50V	L27		QQL071J-330Y	COIL 33μH
C6717		QEKJ1HM-225	E CAPACITOR 2.2μF,50V	L28		QQL071J-680Y	COIL 68μH
C6719		QEKJ1EM-106	E CAPACITOR 10μF,25V	L201		QQL29BK-1R0Z	COIL 1μH
C6720		QEKJ1EM-106	E CAPACITOR 10μF,25V	L202		QQL071J-330Y	COIL 33μH
C6721		NCB21HK-103X	CAPACITOR 0.01μF,50V	L203		QQL29BJ-220Z	COIL 22μH
C6723		NCB21HK-103X	CAPACITOR 0.01μF,50V	L204		QUY153-050Y	IM BUS WIRE
C7001		NCB21HK-103X	CAPACITOR 0.01μF,50V	L206		QQL071J-220Y	COIL 22μH
C7002		QEKJ0JM-476	E CAPACITOR 47μF,6.3V	L207		QUY153-050Y	IM BUS WIRE
C7011		QEKJ0JM-227	E CAPACITOR 220μF,6.3V	L2001		QUY153-050Y	IM BUS WIRE
C7012		NCB21HK-103X	CAPACITOR 0.01μF,50V	L2251		QQL29BJ-100Z	COIL 10μH
C7103		NCB21HK-681X	CAPACITOR 680pF,50V	L2252		QQL29BJ-151Z	COIL 150μH
C7104		NCB21HK-681X	CAPACITOR 680pF,50V	L3101		QQL29BJ-100Z	COIL 10μH
C7117		QUY153-050Y	IM BUS WIRE	L5201		PELN1184	COIL 33μH
C7119		NCB21HK-471X	CAPACITOR 470pF,50V	L5202		PELN1184	COIL 33μH
C7120		NCB21HK-471X	CAPACITOR 470pF,50V	L6001		QQL29BK-1R0Z	COIL 1μH
C7128		QEKJ1CM-107	E CAPACITOR 100μF,16V	L6003		QQL29BJ-470Z	COIL 47μH
C7129		NCB31CK-104X	CAPACITOR 0.1μF,16V	L7101		NRSA02J-0R0X	MG RESISTOR 0Ω,1/10W
C7131		QUY153-050Y	IM BUS WIRE	L7102		NQL092M-R22X	COIL 0.22μH
C7132		QETN1CM-107	E CAPACITOR 100μF,16V	L7105		QQL231J-1R0Y	COIL 1μH
C7133		NCB21HK-103X	CAPACITOR 0.01μF,50V	L7106		QQL231J-1R0Y	COIL 1μH
C7134		NCB31CK-473X	CAPACITOR 0.047μF,16V	L7107		QQL01BJ-100Z	COIL 10μH
C7135		NCB31CK-473X	CAPACITOR 0.047μF,16V	L7108		QUY153-050Y	IM BUS WIRE
C7136		NCB31CK-473X	CAPACITOR 0.047μF,16V	L7109		QQL231J-R22Y	COIL 0.22μH
C7137		NDC21HJ-330X	CAPACITOR 33pF,50V	L7201		QQL01BJ-101Z	COIL 100μH
C7138		QEKJ1EM-106	E CAPACITOR 10μF,25V	X1		QAX0576-001Z	CRYSTAL RESONATOR
C7139		QEKJ1CM-476	E CAPACITOR 47μF,16V	X3001		QAX0444-001	CRYSTAL RESONATOR,J680EK/J785EK
C7140		QEKJ1EM-106	E CAPACITOR 10μF,25V			QAX0445-001	CRYSTAL RESONATOR,J680EU/J780EU
C7141		QEKJ1EM-106	E CAPACITOR 10μF,25V	X3002		QAX0527-001	CRYSTAL RESONATOR
C7142		QEKJ1EM-106	E CAPACITOR 10μF,25V	X6701		QAX0443-001	CRYSTAL RESONATOR
C7143		QEKJ1EM-106	E CAPACITOR 10μF,25V	S3001		QSW0602-004	PUSH SWITCH,REC SAFETY
C7144		QEKJ1EM-106	E CAPACITOR 10μF,25V	S7001		QSW0456-002Z	TACT SWITCH,STAND-BY
C7145		QEKJ1EM-106	E CAPACITOR 10μF,25V	S7002		QSW0456-002Z	TACT SWITCH,CH-,J680EK/EU
C7146		QEKJ1HM-475	E CAPACITOR 4.7μF,50V			QSW0456-002Z	TACT SWITCH,TIMER,J785EK
C7147		QEKJ1EM-106	E CAPACITOR 10μF,25V			QSW0456-002Z	TACT SWITCH,A.DUB,J780EU
C7148		QEKJ1EM-106	E CAPACITOR 10μF,25V	S7004		QSW0456-002Z	TACT SWITCH,REC
C7149		QEKJ1HM-475	E CAPACITOR 4.7μF,50V	S7006		QSW0456-002Z	TACT SWITCH,PAUSE
C7150		QEKJ1EM-106	E CAPACITOR 10μF,25V	S7008		QSW0456-002Z	TACT SWITCH,STOP/EJECT
C7151		QEKJ1EM-106	E CAPACITOR 10μF,25V	S7010		QSW0456-002Z	TACT SWITCH,SAT.TIMER,J680EK/EU
C7152		NCB21EK-473X	CAPACITOR 0.047μF,25V			QSW0456-002Z	TACT SWITCH,PLAY,J780EU/J785EK
C7153		NDC21HJ-330X	CAPACITOR 33pF,50V	S7012		QSW0456-002Z	TACT SWITCH,PLAY,J680EK/EU
C7155		QEKJ1EM-106	E CAPACITOR 10μF,25V			QSW0456-002Z	TACT SWITCH,E.PROG,J780EU/J785EK
C7164		NCB21HK-681X	CAPACITOR,J780EU 680pF,50V	S7014		QSW0456-002Z	TACT SWITCH,REW,J680EK/EU
C7166		NCB21HK-681X	CAPACITOR,J780EU 680pF,50V	S7015		QSW0456-002Z	TACT SWITCH,FF,J680EK/EU
C7168		NCB21HK-681X	CAPACITOR 680pF,50V	S7016		QSW0456-002Z	TACT SWITCH,CH+,J680EK/EU
C7169		NCB21HK-681X	CAPACITOR 680pF,50V			QSW0456-002Z	TACT SWITCH,SAT.TIMER,J780EU/J785EK
C7170		NCB21HK-821X	CAPACITOR 820pF,50V	K2001		NQL103K-R10X	COIL 0.1μH
C7171		NCB21HK-821X	CAPACITOR 820pF,50V	K2002		NQL103K-R10X	COIL 0.1μH
C7172		NDC21HJ-101X	CAPACITOR 100pF,50V	K2003		NQL103K-R10X	COIL 0.1μH
C7173		NDC21HJ-101X	CAPACITOR 100pF,50V	K2004		NQL103K-R10X	COIL 0.1μH
C7174		NCB21HK-681X	CAPACITOR 680pF,50V	K2251		NRSA02J-0R0X	MG RESISTOR 0Ω,1/10W
C7175		NCB21HK-681X	CAPACITOR 680pF,50V	K2252		NRSA02J-0R0X	MG RESISTOR 0Ω,1/10W
C7202		QETJ0JM-477	E CAPACITOR 470μF,6.3V	K2253		NRSA02J-0R0X	MG RESISTOR 0Ω,1/10W
L1		QQL29BJ-100Z	COIL 10μH	K5101		QQR0678-001Z	FERRITE BEAD
L2		QUY153-050Y	IM BUS WIRE	K5102		QQR0678-001Z	FERRITE BEAD
L3		QQL29BJ-100Z	COIL 10μH	K6080		NRSA02J-102X	MG RESISTOR 1kΩ,1/10W
L4		QQL29BJ-100Z	COIL 10μH	K6701		NQR0200-003X	FERRITE BEAD

#	△ REF No.	PART No.	PART NAME, DESCRIPTION
		K6702	NQR0200-003X FERRITE BEAD
		K6703	NQR0200-003X FERRITE BEAD
		K6704	NQR0200-003X FERRITE BEAD
		K6705	NQR0200-003X FERRITE BEAD
		K6706	NQR0200-003X FERRITE BEAD
		K7001	NQR0403-003X FERRITE BEAD
		PC3001	GP3S123 IC(PHOTO SENSOR)
		PC3002	GP3S123 IC(PHOTO SENSOR)
	△	PC5101	PS2561L1-1/L/ IC(PHOTO COUPLER)
		T2051	PELN0832 OSC TRANSFORMER,J680EK/EU/J785EK
			PELN0860 OSC TRANSFORMER,J780EU
		T2052	PELN0861 OSC TRANSFORMER,J780EU
	△	T5001	QQS0083-001 SW TRANSFORMER
		TU6001	QAU0208-001 TUNER
	△	TB1	LP20317-005A TERMINAL BOARD(PAL),J680EK/EU/J785EK
	△		LP20317-007A TERMINAL BOARD(PAL),J780EU
		DI7001	LTG-Y2K16M-J LE DIODE
		ET1	PQ21623-2-5 EARTH PLATE(RF)
		HS1	LP40090-001A HEAT SINK,Q5101
		SD1	LP21033-001A SHIELD CASE(PRE)
		OT1	QYTDST3006Z SCREW,Q5101
		FC5001	QNG0006-001Z FUSE CLIP,F5001
		FC5002	QNG0006-001Z FUSE CLIP,F5001
		J7101	PEMC1104 RGB21PIN SOCKET,AV1
		J7102	PEMC1104 RGB21PIN SOCKET,AV2
		J7103	QNN0292-003 PIN JACK
		J7105	QNN0381-002 PIN JACK,FRONT IN,J780EU
	△	LF5001	PELN1204-01-01 LINE FILTER
	△	LF5002	QQR0978-001 LINE FILTER
		CN1	QGF1028C1-11 FPC CONNECTOR,(1-11)U.DRUM
		CN2001	QGF1207C1-07 FPC CONNECTOR,(1-7)A/C HEAD
		CN2002	QGB2532J1-02 CONNECTOR,(1-2)FE HEAD
		CN3001	QGF1207C1-05 FPC CONNECTOR,(1-5)DRUM MDA
		CN3002	QGB2532J1-02 CONNECTOR,(1-2)LOADING MOTOR
		CN3003	QGB2015M2-08 CONNECTOR,(1-8)CAPSTAN MOTOR
		CN3004	QGB2534J2-04 CONNECTOR,(1-4)ROTARY ENCODER
	△	CN5001	QGA7901C3-02 CONNECTOR,(1-2)AC IN
		CN7001	QGF1207C1-09 FPC CONNECTOR,(1-9)FRONT,J780EU/J785EK
	△	CP4001	ICP-N25 CIRCUIT PROTECTOR
	△	CP5302	ICP-N25 CIRCUIT PROTECTOR
	△	F5001	QMF51E2-2R0J1 FUSE T2.0A,AC250V

\*\*\*\*\*

**A/C HEAD BOARD ASSEMBLY <12>**

PW1	LP10122-01A1	A/C HEAD BOARD ASSY
CN1	QGF1208F1-07	FPC CONNECTOR

\*\*\*\*\*

**ADV.JOG BOARD ASSEMBLY(HR-J780EU/J785EK) <38>**

PW1	LPA20013-01B	ADV.JOG BOARD ASSY
UN7001	QSW0905-001	ROTARY ENCODER
CN7003	QGF1209F1-09	FPC CONNECTOR,(1-9)MAIN

#	△ REF No.	PART No.	PART NAME, DESCRIPTION
*****			

**LOADING MOTOR BOARD ASSEMBLY <55>**

PW2	LP10122-01A2	LOADING MOTOR BOARD ASSY
CN1	QGB2533K1-02	CONNECTOR

\*\*\*\*\*

**R.PAUSE BOARD ASSEMBLY(HR-J780EU)<91>**

PW3	LPA10131-01A3	R.PAUSE BOARD ASSY
R7167	NRSA02J-101X	MG RESISTOR 100Ω,1/10W
J7108	PU60612	MINI JACK,R.PAUSE
CN7106	QUM022-18A4A4	PARA RIBON WIRE

\*\*\*\*\*

**SAT\_CTL BOARD ASSEMBLY <92>**

PW4	LPA10131-01A4	SAT_CTL BOARD ASSY
R7166	NRSA02J-101X	MG RESISTOR 100Ω,1/10W
J7107	PU60612	MINI JACK,SAT_CTL
CN7104	QUM022-18A4A4	PARA RIBON WIRE